

VITAMINS, C, D3, B12, IRON, & CALCIUM

***Paul T. E. Cusack, BScE, DULE**

23 Park Ave. Saint John, NB E2J 1R2 Canada.

Article Info

Article Received: 21 February 2024
Article Revised: 11 March 2024
Published on: 01 April 2024



***Corresponding author:**
Paul T. E. Cusack
23 Park Ave. Saint John, NB E2J
1R2 Canada.
Email: st-michael@hotmail.com

Vit B12=C63H88CoN14O14P
Vit C C6H8O6
Vit D3 C27H44O
now
[Vit B12-Fe]/Ca=Vit C/Vit D=1/√2 ⇒t=π/4
(B12-Fe) Vit D=Ca (Vit C)
[.1354-55.845]/ 40.078=176.12/384.6436
sin 45°=cos 45° y=y'
M=t
PE=KE

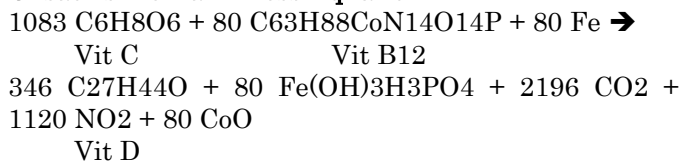
The E=1/sqrt2 implies the two-pole solution. The two poles are KE and PE or Mass to time.

Table 1.

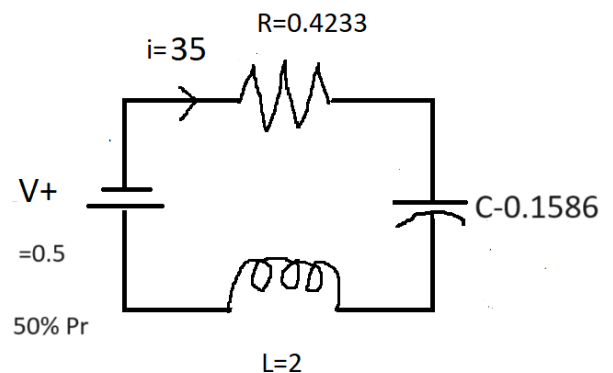
| | | | |
|---------|--------------------------|---------------------|------------------------|
| Fe | 55.845 x 6.022=13.997 | N2 | Sz |
| Ca | 40.078 x 6.022=127.3 | Density=127.3=1/t=E | Stuttering Neuro-ion |
| Vit C | 176.1 | Mp+=942.5=E | Sz, AD, ALS, Parkinson |
| Vit D3 | 384.6 | E=t·M=3·4=-1 | SAD +B12 |
| Vit B12 | 1354 | 114499=E | Sz, Depression, AD |

942.5/127.3=1/1350.6=M=74.03
E=14-14.03=60.03=t
GMP: E=35.4=i
V=iR
35.4(√2)=5.00=E ⇒y=y'

Cusack's Mental Illness Equation



1083(176.12)+80(1355.37)+80 (55.845)=303.63 x
6.022=1/5469
t=e^M=e^5469=172.27~Sqrt3 =t eigenvector
√3²-√3-1=2.67=SF



Voltage is the probability. The Inductor produces consciousness and is affect by the Earth's magnetic field for migrating birds. The Resistance =sqrt2
1/V+ · (V+i)= t·R= Sqrt3-1.4179=3.1415=Pi
1/V-V/i=Pi
V^2-V(Pi)-i=Pi

$$0.5^2 - (0.5)(\pi) - 35 = 275 \rightarrow QM$$

$$E = -1.25$$

$$E = -0.25$$

$$\Sigma = -1.5$$

Fair coin equation

$$t^2 - t - 1 = E$$

$$(-1.5)^2 - (-1.5) - 1 = 2.75$$

$$L = 0.511 + 27$$

$$= 2.75$$

Hearing = π

Eyesight = $1/\pi$

Smell is $\sqrt{3}$

Neurotransmitters

Na⁺; K⁺; Ca⁺⁺; Acetylcholine

$$\text{Acetylcholine} = 146.210 \times 6.022 = 88.04$$

$$t = e^M = e^{88.04} = 241.2 = 40.0078 \times 6.022 = M \text{ of Ca}^{++}$$

$$t = M$$

$$KE = PE$$

$$t = e^{241.2} = 127.3 = 4/\pi = 1/t = E$$


$$t = E = 1/t$$

$$t = \sqrt{1} = -0.618$$

$$\text{GMP: } E = 0$$

CONCLUSION

It seems that these five compounds Iron, Calcium, Vitamins C, D3, and B12 are involved in mental illness. They should be measured in healthy people and in the mentally ill.



Assets of Publishing with us

- Global archiving of articles
- Immediate, unrestricted online access
- Rigorous Peer Review Process
- Authors Retain Copyrights
- Unique DOI for all articles

<https://wjims.com/>